

manuflow

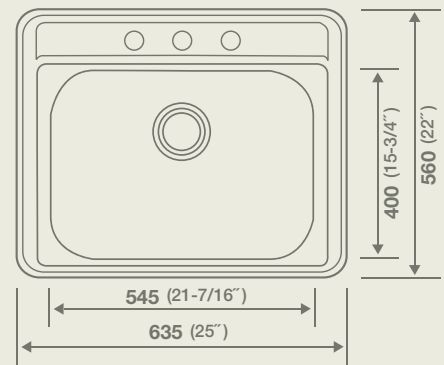
naturally inspired

STAINLESS STEEL KITCHEN SINKS

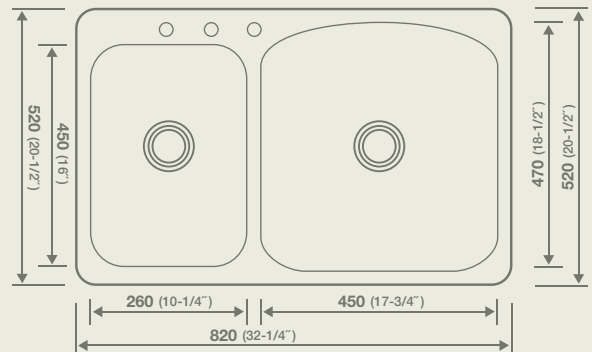
The Manuflow sinks are made of 18 gauge stainless steel (1.2mm). This premium grade steel combines chromium and nickel in exactly right proportions. This helps achieve the sinks high luster, durability and strength.

These superior sinks have an undercoating and sound deadening pads to absorb noise and maintain water temperature. At last, a sink that is functional, fashionable and highly durable.

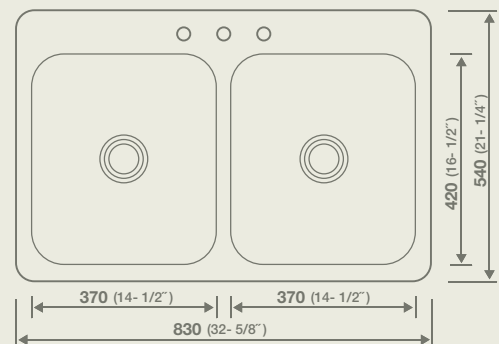
Model **6356A**



Model **8252B**



Model **8354A**



MANUFLOW

9155 Langelier, St-Leonard, QC, Canada H1P 3K9

Phone: 514.338.1616 • 800.873.0070

Fax: 514.338.3934 • www.manuflowinternational.com

